

EDDYFI PROBOT

High-Performance Probe Pusher System



STRONG, COMPACT, AND LIGHT IN THE SAME PACKAGE.

Eddyfi® Probot™ is a powerful, highly advanced, compact, and light probe pusher system. It is easy to transport and set up, has a small footprint, and offers the robustness required by the industry.

DESIGNED FOR VERSATILITY

Probot is engineered with versatility in mind, exceeding the requirements of balance of plant (BoP) inspections, while offering the oil & gas and other industries an extraordinary productivity-enhancing tool. By automating probe motion during heat exchanger inspection, the system always yields accurate and reliable data at speeds optimized for the technique.

ONE-PERSON INSPECTION IS A REALITY

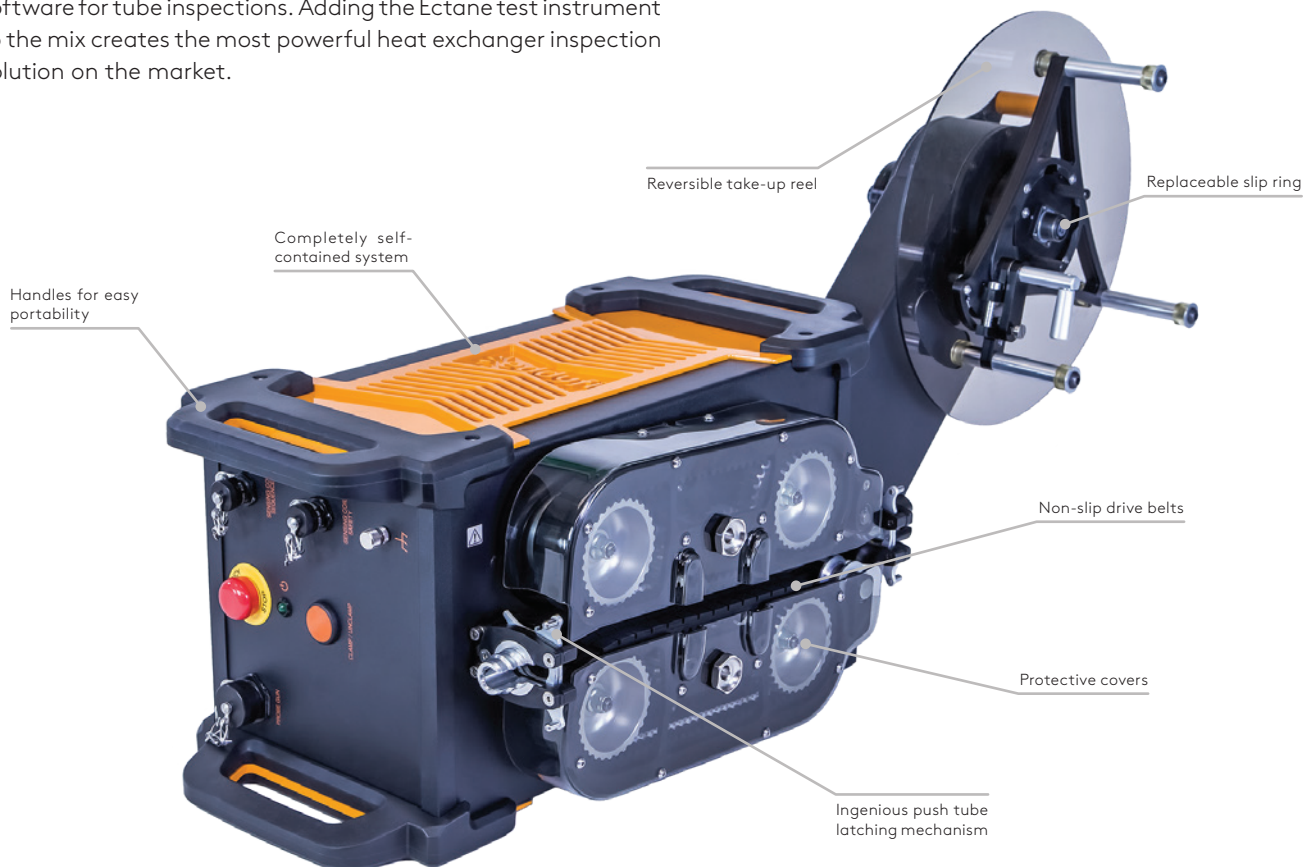
A single user performing inspections with Probot offers a significant competitive edge. The probe pusher system can dramatically and safely make inspections faster, while maintaining high quality.

MOST POWERFUL HEAT EXCHANGER SOLUTION

Probot is completely compatible with standard probes used in the industry. It is also fully integrated to the Eddyfi product line. The probe pusher system is designed to enhance the operation of our most innovative tubing probes. Configure and control the system with Magnifi, the most advanced multi-technology software for tube inspections. Adding the Ectane test instrument to the mix creates the most powerful heat exchanger inspection solution on the market.

BENEFITS AND FEATURES

- Light, compact, small footprint
- Sealed to IP65
- Robust and resistant to harsh environments
- Fully integrated — power supply and controls (no external boxes)
- No compressed air supply necessary (electric belt tensioner)
- Designed for two-person and one-person operation
- Seamless integration with Eddyfi Magnifi® for automated and manual modes



THE FIRST REAL ECOSYSTEM FOR SURFACE EDDY CURRENT ARRAY

When you combine Reddy's portability with Eddyfi standard ECA, tangential ECA (TECA™), and/or custom probes, you unlock the power of the first true standard system for ECA surface inspection.

EMBEDDED SOFTWARE

Reddy runs Magnifi®GO, our powerful, yet easy-to-use acquisition and analysis software. It's especially tailored for surface inspections and relies on well-designed wizards to create setups. Furthermore, MagnifiGO makes collecting and reporting data incredibly intuitive.

DESKTOP DATA ANALYSIS

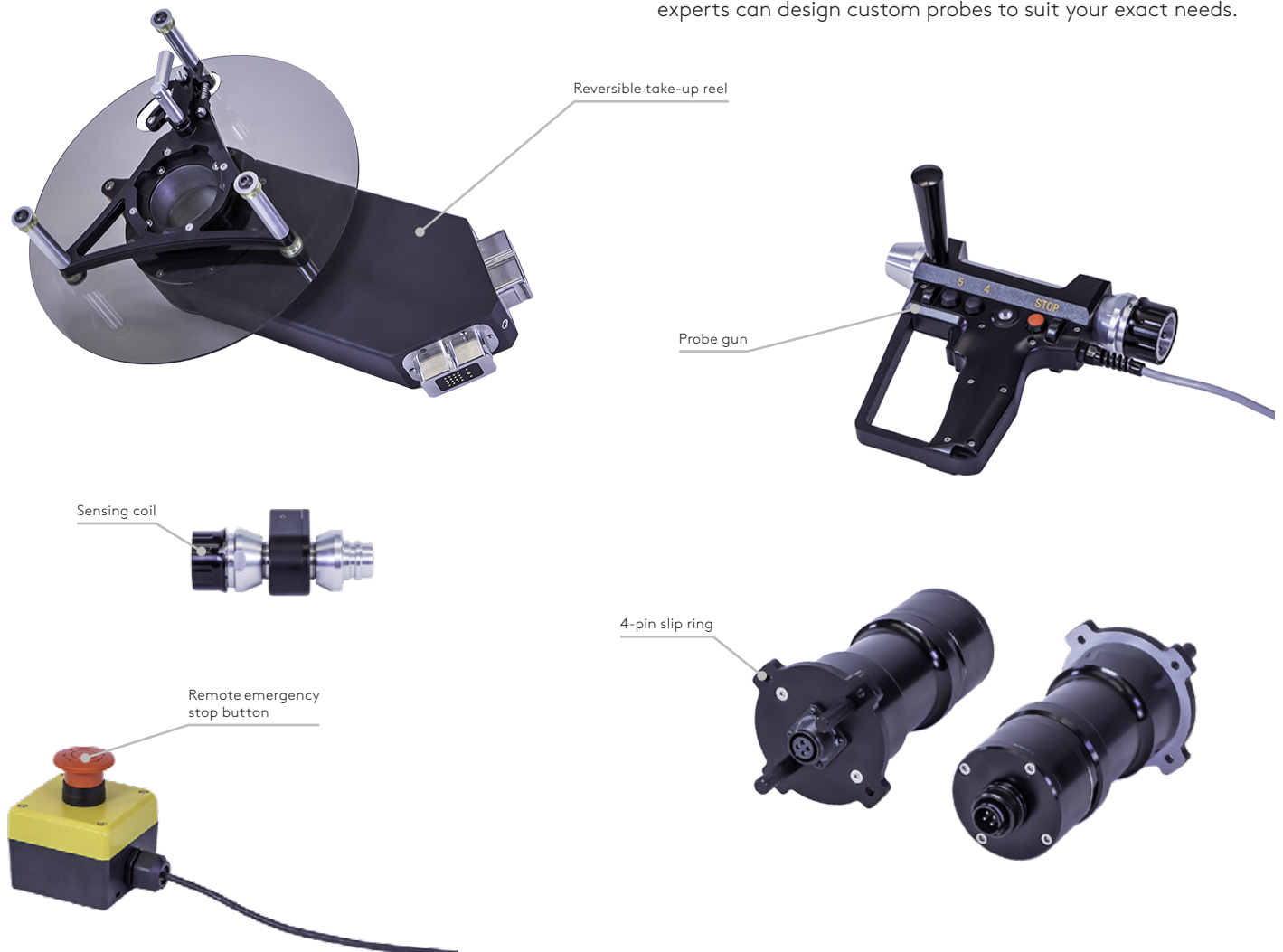
MagnifiGO is compatible with its full-fledged big brother Magnifi. With it, configure inspection setups for Reddy and analyze inspection data in depth directly on your computer, with full 3D C-scan capabilities.

THE RIGHT PROBE FOR THE RIGHT APPLICATION

Eddyfi standard surface array probes (www.eddyfi.com/surface-probes) are all engineered for ferrous and non-ferrous materials, as well as a variety of applications in the oil & gas, power generation, and aerospace industries.

APPLICATION	FERROUS	NON-FERROUS
Welds	✓	✓
Far-side corrosion		✓
Surface-breaking defects	✓	✓
Near-surface defects		✓

If these standard probes don't meet your specific requirements, you can still leverage the full might of Reddy—Eddyfi Technologies experts can design custom probes to suit your exact needs.



SPECIFICATIONS

INSTRUMENT		
Dimensions (W×H×D)	Drive	307×277×554 mm (12.1×10.9×21.8 in)
	Drive & take-up reel	361×521×940 mm (14.2×20.5×37.0 in)
Weight	Drive	23.6 kg (52 lb)
	Take-up reel	6.4 kg (14 lb)
	Belts & protective covers	1.3 kg (3.5 lb)
Power requirements		100–240 VAC, 50–60 Hz
Speed range		0–2.5 m/s (0–100 in/s) Wide range of speeds to accommodate various inspection techniques
Push force	Peak	445 N (100 lbf)
	Continuous	245 N (55 lbf)

INSTRUMENT (CONT.)		
Spool	Outer diameter	406.4 mm (16 in)
	Capacity	33.5 m (9.53 mm tubing) [110 ft (3/8 in tubing)]
Encoder resolution		18,796 counts/mm (477,406 counts/in)
Poly sizes		9.53 mm (3/8 in) 7.94 mm (5/16 in) 6.35 mm (1/4 in) (optional belt required)
Probe diameters		7–23 mm (0.276–0.906 in)
Operating temperature		0–45 °C (32–113 °F)
IP rating		Designed for IP65

ACCESSORIES

MODELS	
Slip rings	4 pins
	19 pins
	36 pins
Conduits	0.6 m (2 ft)
	1.2 m (4 ft)
	1.8 m (6 ft)
Conduit adapter outer diameters	19.1 mm (3/4 in)
	23.8 mm (15/16 in)

MODELS		
Probe gun	Features	Ergonomic, robust, four programmable buttons (e.g., jog, sequence launch, next tube) Emergency stop button Designed for left-handed and right-handed use
	Cable	6.1 m (20 ft)
Sensing coil		For fail-safe operation near the drive and to enhance some automated modes

The information in this document is accurate as of its publication. Actual products may differ from those presented herein.

©2018 Eddyfi NDT, Inc. Ectane, Eddyfi, Magnifi, Probot, and their associated logos are trademarks or registered trademarks of Eddyfi NDT, Inc. in the United States and/or other countries. Eddyfi Technologies reserves the right to change product offerings and specifications without notice.

2018-10-03

www.eddyfi.com

info@eddyfi.com



**Eddyfi
Technologies**

Beyond current